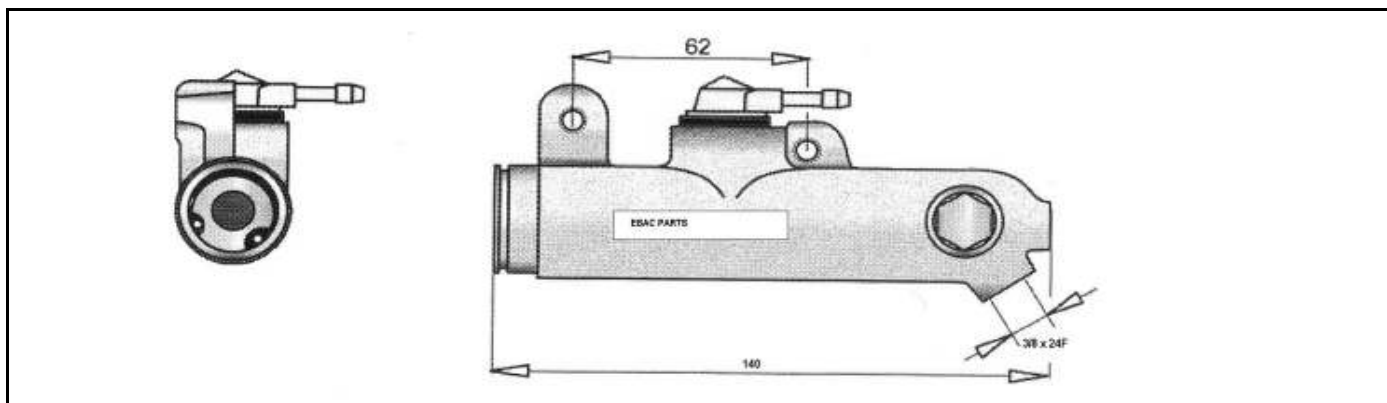


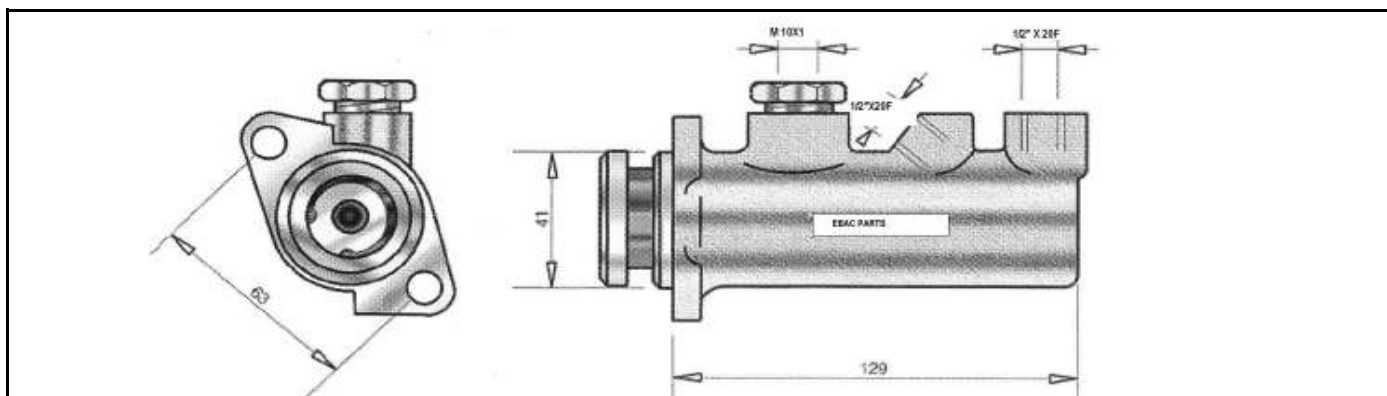
progr	Codice Originale	Codice Ebac	Description
			Indice ricambi - Spare parts International IH
			Molti altri ricambi disponibili su richiesta - Many other parts available on demand
			Viele andere Ersatzteile auf anfrage - Autres pièces disponibles sur demande
001	247523A1	AFD1098	Asta sterzo completa - Tie rod bar assy D
002	132665A1	AFP1038	Asta sterzo completa - Tie rod bar assy 1PD
003	133743617	AFP1039	Asta sterzo completa - Tie rod bar assy 1PD
004	132666A1	AFP6038	Asta sterzo completa - Tie rod bar assy 1PS
005	133743619	AFP6039	Asta sterzo completa - Tie rod bar assy 1PS
006	247522A1	SA57018	Snodo assiale - Axial joint
007	100050A1	AFS2893	Disco freno - Friction disc
008	114622C1	AFS1765	Disco freno - Friction disc
009	119433A1	AFS2811	Disco freno - Friction disc
010	120488C1	AFS7393	Disco freno - Friction disc
011	120488C2	AFS7393	Disco freno - Friction disc
012	146055A1	AFS7231	Disco freno - Friction disc
013	148962A1	AFS4625	Disco freno - Friction disc
014	149584	AFS1279	Disco freno - Friction disc
015	190462A1	AFS2823	Disco freno - Friction disc
016	196073A1	AFS2823	Disco freno - Friction disc
017	237021A1	AFS2823	Disco freno - Friction disc
018	245297A1	AFS3261	Disco freno - Friction disc
019	291578A1	AFS4995	Disco freno - Friction disc
020	291579A1	AFS4993	Disco freno - Friction disc
021	348956A1	AFS3093	Disco freno - Friction disc
022	351175A1	AFS4243	Disco freno - Friction disc
023	357534A1	AFS3659	Disco freno - Friction disc
024	348322A1	AFS4183	Disco freno - Friction disc
025	399734R1	AFS1765	Disco freno - Friction disc
026	615840	AFS1243	Disco freno - Friction disc
027	533804R1	AFS3143	Disco freno - Friction disc
028	625615C1	AFS1179	Disco freno - Friction disc
029	634534C1	AFS1359	Disco freno - Friction disc
030	634558C1	AFS3687	Disco freno - Friction disc
031	659746C3	AFS1255	Disco freno - Friction disc
032	702874C1	AFS1687	Disco freno - Friction disc
033	705105C2	AFS4525	Disco freno - Friction disc
034	716929C2	AFS5965	Disco freno - Friction disc
035	886934C1	AFS2295	Disco freno - Friction disc
036	894083H1	AFS0545	Disco freno - Friction disc
037	922541C1	AFS1565	Disco freno - Friction disc
038	922551C1	AFS1567	Disco freno - Friction disc
039	1027256	AFS1765	Disco freno - Friction disc
040	1202654H1	AFS2279	Disco freno - Friction disc
041	1202681H1	AFS2277	Disco freno - Friction disc
042	1209800H1	AFS5457	Disco freno - Friction disc
043	1230637H1	AFS4647	Disco freno - Friction disc
044	1263329H1	AFS3353	Disco freno - Friction disc
045	1342285C1	AFS2841	Disco freno - Friction disc
046	3136997R91	AFS3499	Disco freno - Friction disc
047	3145546R91	AFS2389	Disco freno - Friction disc
048	3145546R92	AFS2389	Disco freno - Friction disc
049	3220450R92	AFS2391	Disco freno - Friction disc
050	3220450R94	AFS2391	Disco freno - Friction disc
051	100049A1	AFA2896	Disco freno intermedio - Steel friction disc
052	103310A1	AFA1216	Disco freno intermedio - Steel friction disc

	Indice ricambi - Spare parts International IH		
	Molti altri ricambi disponibili su richiesta - Many other parts availables on demand		
	Viele andere Ersatzteile auf anfrage - Autres pièces disponibles sur demande		
progr	Codice Originale	Codice Ebac	Description
053	119430A1	AFA3608	Disco freno intermedio - Steel friction disc
054	119431A1	AFA3506	Disco freno intermedio - Steel friction disc
055	120486C1	AFA7396	Disco freno intermedio - Steel friction disc
056	125505H1	AFA2276	Disco freno intermedio - Steel friction disc
057	129529H1	AFA2330	Disco freno intermedio - Steel friction disc
058	146057A1	AFA7234	Disco freno intermedio - Steel friction disc
059	148905A1	AFA6922	Disco freno intermedio - Steel friction disc
060	156320H1	AFA3020	Disco freno intermedio - Steel friction disc
061	181159A1	AFA2828	Disco freno intermedio - Steel friction disc
062	215737H1	AFA2332	Disco freno intermedio - Steel friction disc
063	220025H1	AFA1690	Disco freno intermedio - Steel friction disc
064	237022A1	AFA3414	Disco freno intermedio - Steel friction disc
065	237023A1	AFA3906	Disco freno intermedio - Steel friction disc
066	237024A1	AFA3908	Disco freno intermedio - Steel friction disc
067	291580A1	AFA4998	Disco freno intermedio - Steel friction disc
068	313807R1	AFA1294	Disco freno intermedio - Steel friction disc
069	324241R1	AFA1262	Disco freno intermedio - Steel friction disc
070	324452R1	AFA4528	Disco freno intermedio - Steel friction disc
071	324483R1	AFA3020	Disco freno intermedio - Steel friction disc
072	327174R1	AFA2382	Disco freno intermedio - Steel friction disc
073	331388A1	AFA4790	Disco freno intermedio - Steel friction disc
074	338895A1	AFA4786	Disco freno intermedio - Steel friction disc
075	384323A1	AFA4186	Disco freno intermedio - Steel friction disc
076	399736R3	AFA1836	Disco freno intermedio - Steel friction disc
077	630047C1	AFA2704	Disco freno intermedio - Steel friction disc
078	630516C2	AFA1216	Disco freno intermedio - Steel friction disc
079	658451C1	AFA5884	Disco freno intermedio - Steel friction disc
080	659592C1	AFA1744	Disco freno intermedio - Steel friction disc
081	659611C1	AFA1742	Disco freno intermedio - Steel friction disc
082	709527C1	AFA5954	Disco freno intermedio - Steel friction disc
083	709804C1	AFA2268	Disco freno intermedio - Steel friction disc
084	892887C1	AFA2332	Disco freno intermedio - Steel friction disc
085	893515C1	AFA1690	Disco freno intermedio - Steel friction disc
086	922539C1	AFA1560	Disco freno intermedio - Steel friction disc
087	922549C1	AFA1562	Disco freno intermedio - Steel friction disc
088	922913C1	AFA2068	Disco freno intermedio - Steel friction disc
089	970696C2	AFA1690	Disco freno intermedio - Steel friction disc
090	984439C1	AFA1836	Disco freno intermedio - Steel friction disc
091	1202655H1	AFA3600	Disco freno intermedio - Steel friction disc
092	1202657H1	AFA3640	Disco freno intermedio - Steel friction disc
093	1202683H1	AFA3596	Disco freno intermedio - Steel friction disc
094	1222489H91	AFA2268	Disco freno intermedio - Steel friction disc
095	1276803H1	AFA3946	Disco freno intermedio - Steel friction disc
096	1276804H1	AFA3948	Disco freno intermedio - Steel friction disc
097	3135827R1	AFA6420	Disco freno intermedio - Steel friction disc
098	3376410R1	AFA4650	Disco freno intermedio - Steel friction disc
099	1276803H1	AFA3946	Disco freno intermedio - Steel friction disc
100	1287734C91	BBJ34.8141	Pompa freni - Brake master cylinder
101	1287846C91	BBJ34.8141	Pompa freni - Brake master cylinder
102	1287734C91	BBJ34.8141	Pompa freni - Brake master cylinder
103	102027A1	BBJ34.8141	Pompa freni - Brake master cylinder
104	1287843C91	BBT100.204	Pompa freni - Brake master cylinder

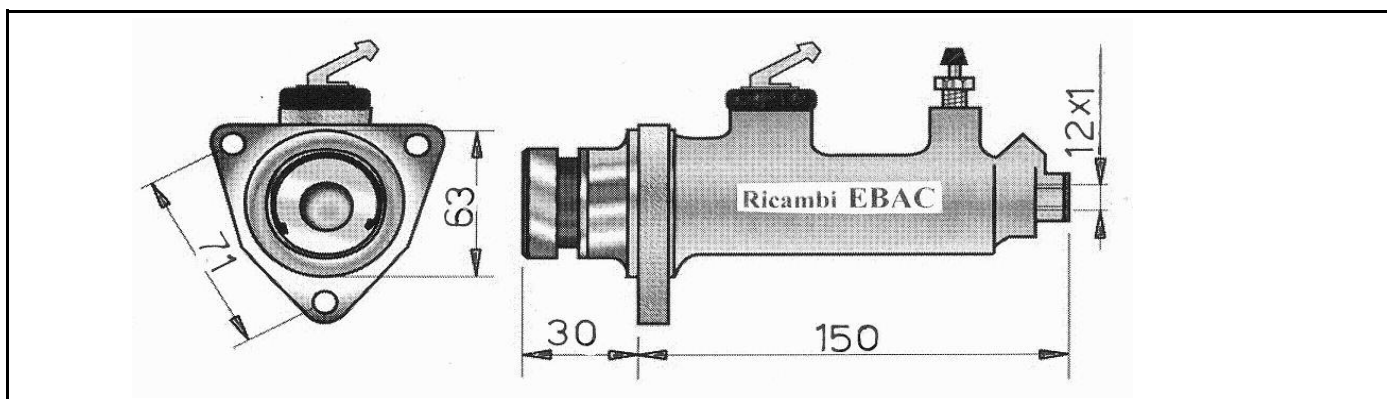
RICAMBI EBAC	Ricambi International IH	Spare parts International IH
------------------------	--------------------------	------------------------------



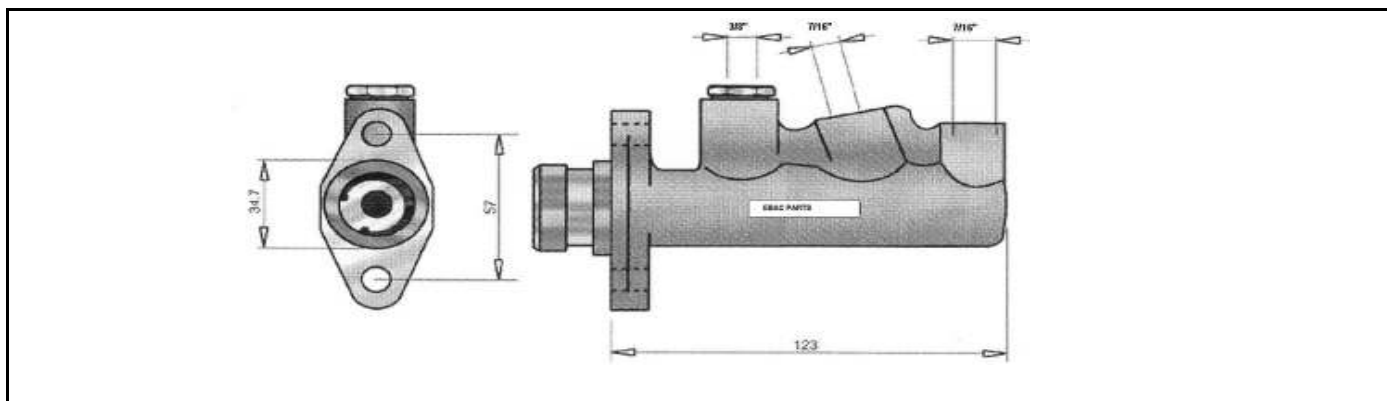
Ebac code		Description
BT78.23190		Brake master cylinder



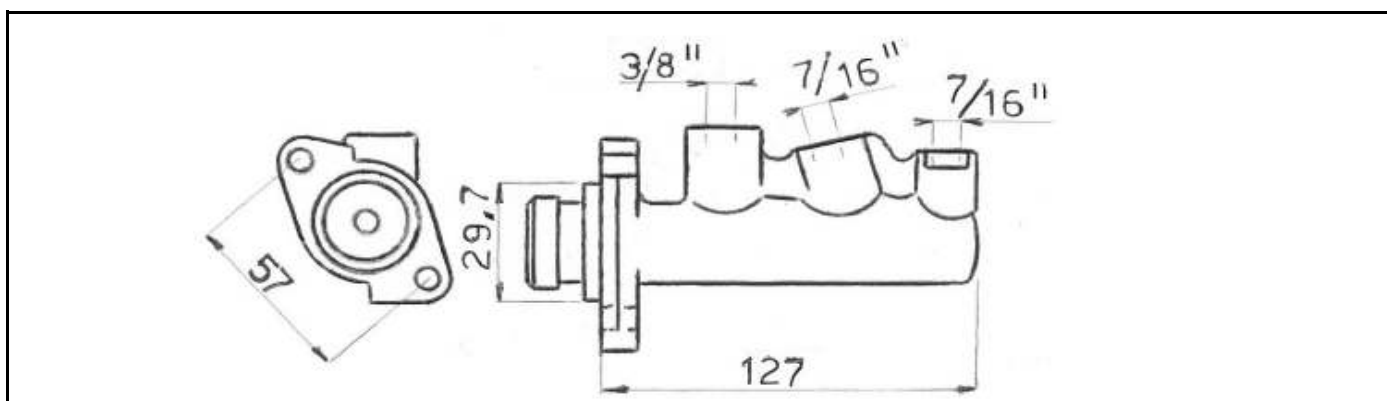
Ebac code		Description
BT100.051		Brake master cylinder Om



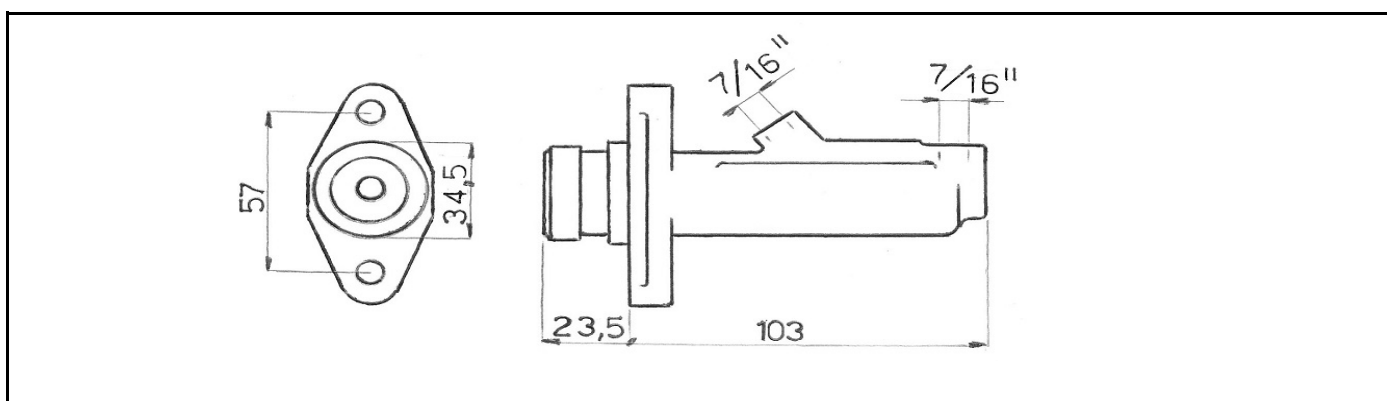
Ebac code		Description
BT138.208		Brake master cylinder



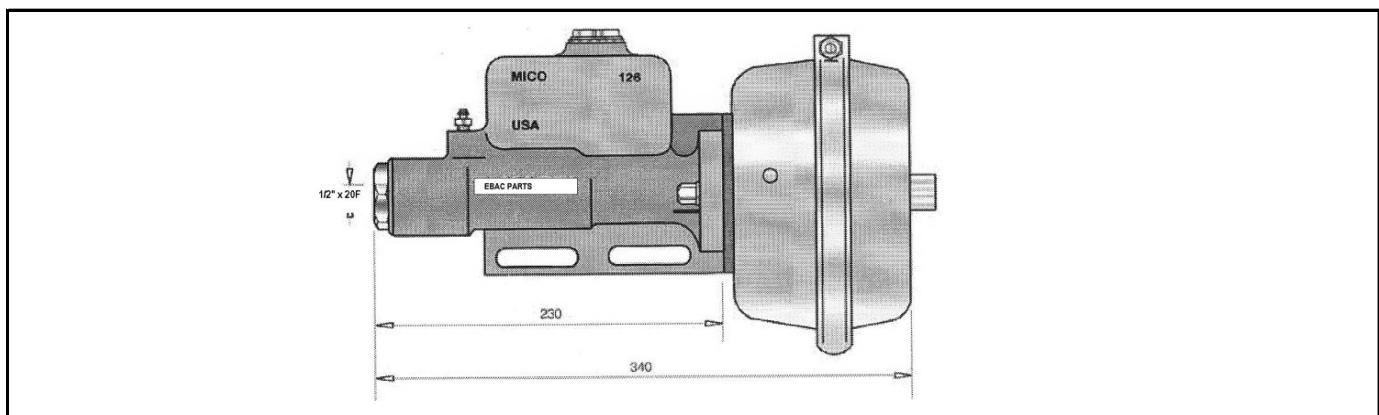
Ebac code			Description
BT34.259 CNHM			Brake master cylinder Mo



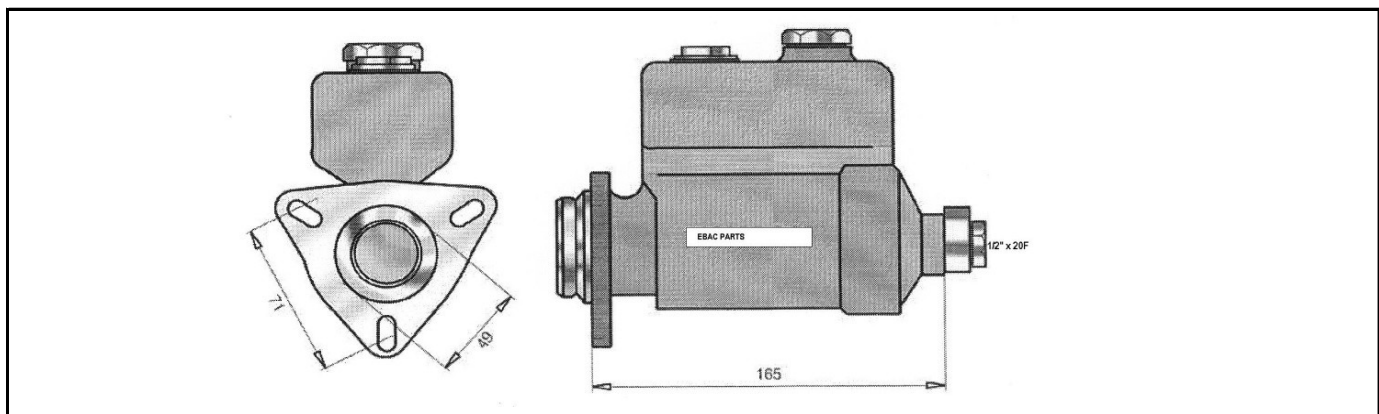
Ebac code			Description
BBJ34.8141			Brake master cylinder Mo



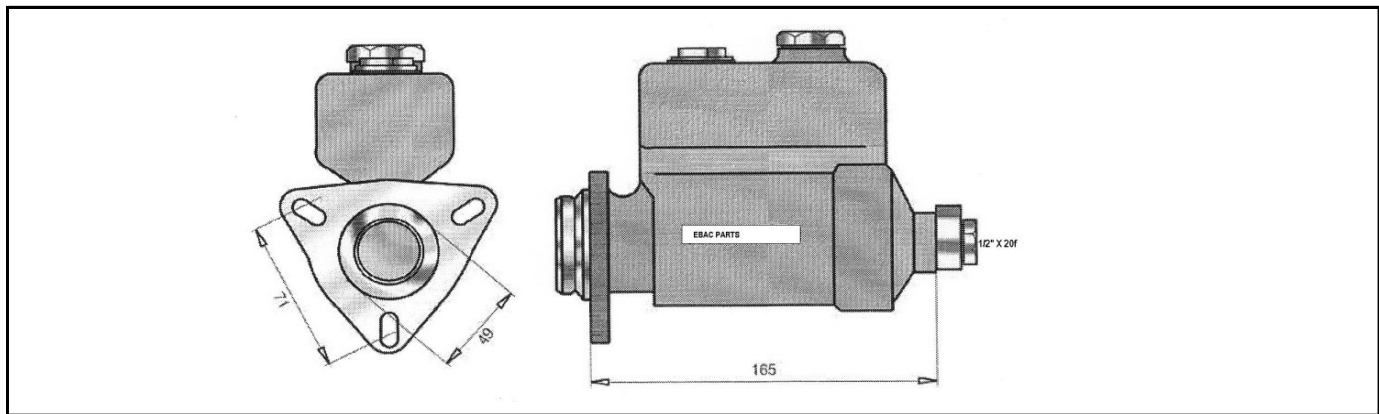
Ebac code			Description
BBJ34.8121			Brake master cylinder Mo



Ebac code			Description
BMM154			Brake master cylinder Mo



Ebac code			Description
B34114.181			Brake master cylinder Mo



Ebac code			Description
BMM34100.120			Brake master cylinder Mo